

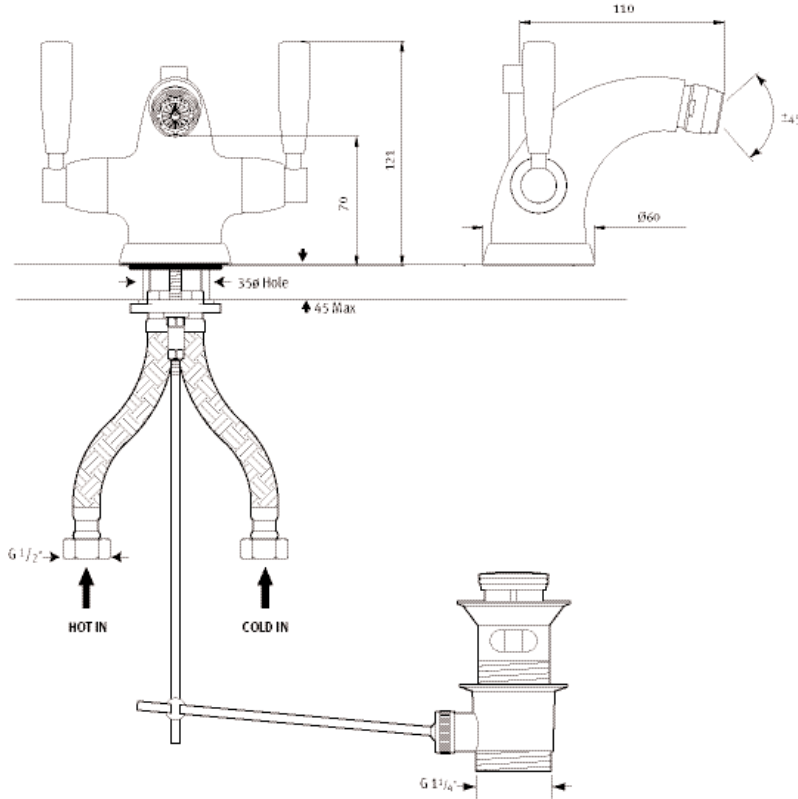


SPECIFICATION

MODEL: 3885

Monobloc Bidet Mixer
with Lever Handles

- 1/4 Turn Ceramic Disc Flow Control
- Vernier Insert For Accurate Handle Alignment
- Unique Handle Construction With Integral Bearing Ring
- Flexible Connectors For Easier Installation
- Supplied With Pop Up Waste



Packed Weight: 2.9Kg

TEMPERATURE RANGE:

Min: 1°C / 34°F
Max: 85°C / 185°F

AVAILABLE FINISHES:

Chrome
Pewter
Nickel

RECOMMENDED WORKING PRESSURE:

Min: 0.5 bar / 7psi
Max: 5 bar / 75psi

ALTERNATIVE FORMATS:

Crosshead Handles (3876)

TRIFLOW CONCEPTS BACK TO TAP



SPECIFICATION

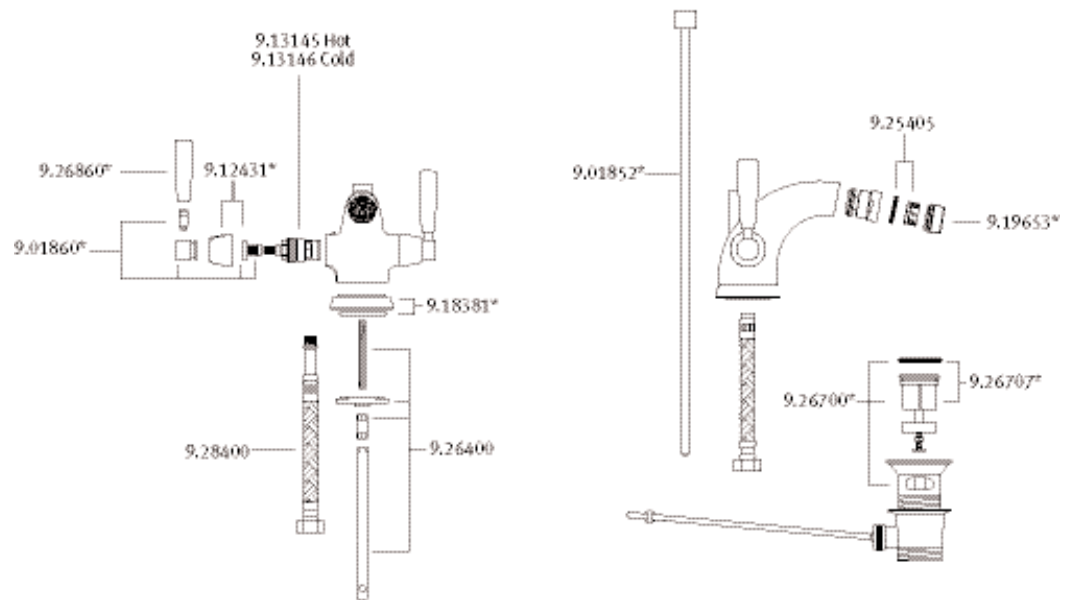
MODEL: 3885

Monobloc Bidet Mixer
with Lever Handles

- 1/4 Turn Ceramic Disc Flow Control
- Vernier Insert For Accurate Handle Alignment
- Unique Handle Construction With Integral Bearing Ring
- Flexible Connectors For Easier Installation
- Supplied With Pop Up Waste



Where * Indicated Specify Colour.



Packed Weight: 2.9Kg

TEMPERATURE RANGE:

Min: 1°C / 34°F
Max: 85°C / 185°F

AVAILABLE FINISHES:

Chrome
Pewter
Nickel

RECOMMENDED WORKING PRESSURE:

Min: 0.5 bar / 7psi
Max: 5 bar / 75psi

ALTERNATIVE FORMATS:

Crosshead Handles (3876)

TRIFLOW CONCEPTS BACK TO TAP

Triflow is a registered trademark of TRIFLOW CONCEPTS LIMITED.

WWW.TRIFLOWCONCEPTS.COM
Triflow Concepts Limited, Gateway XIII, Ferry Lane, Rainham Essex, RM13 9JY, United Kingdom
T: 0845 313 5000, +44 (0)1708 526361 E: support@triflowconcepts.com