

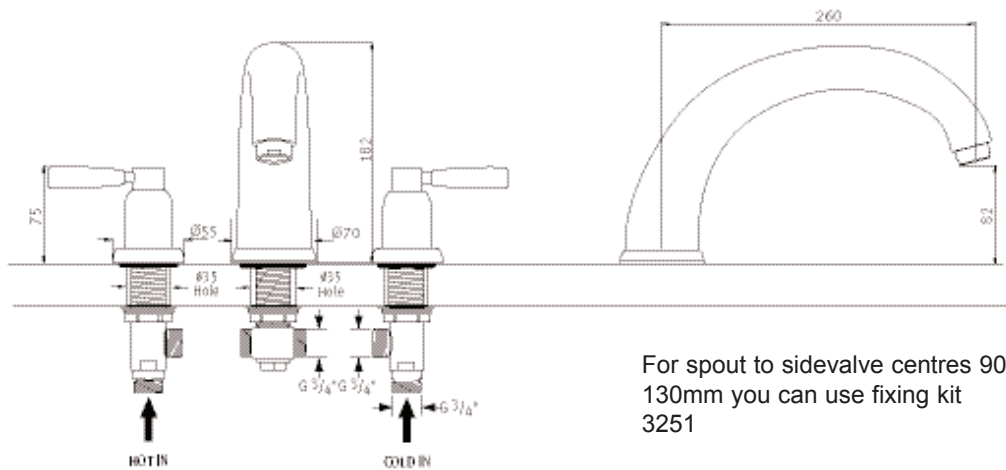
# SPECIFICATION



## MODEL: 3858

10" Three Hole Bath Set  
with Lever Handles

- 1/4 Turn Ceramic Disc Flow Control
- Vernier Insert For Accurate Handle Alignment
- Unique Handle Construction With Integral Bearing Ring



For spout to sidevalve centres 90-130mm you can use fixing kit 3251

Packed Weight: 3.4Kg

### TEMPERATURE RANGE:

Min: 1°C / 34°F  
Max: 85°C / 185°F

### AVAILABLE FINISHES:

Chrome  
Pewter  
Nickel

### RECOMMENDED WORKING PRESSURE:

Min: 0.5 bar / 7psi  
Max: 5 bar / 75psi

### ALTERNATIVE FORMATS:

Crosshead Handles

**TRIFLOW CONCEPTS** BACK TO TAP

# SPECIFICATION



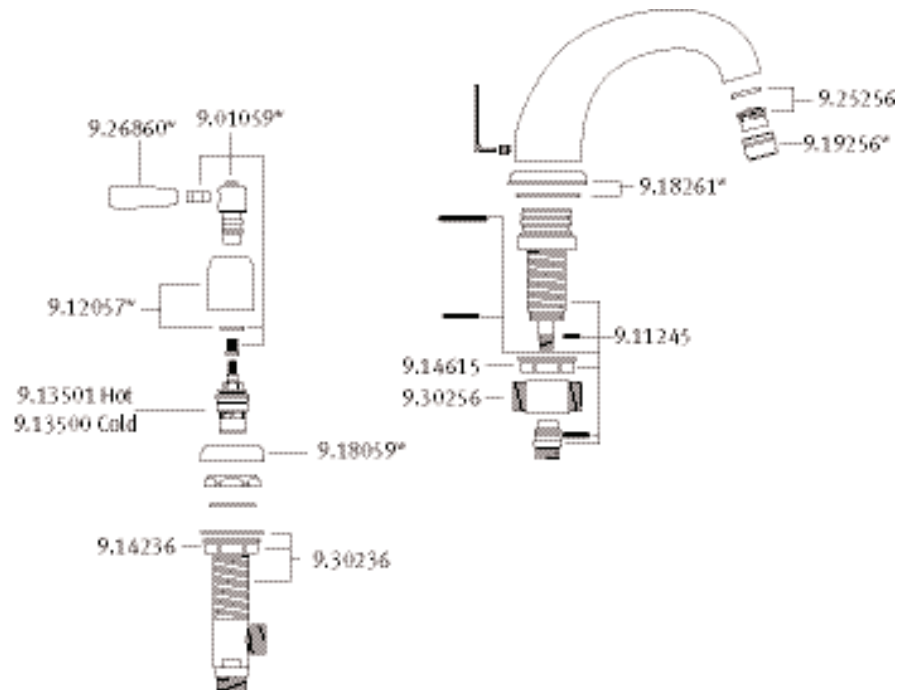
## MODEL: 3858

10" Three Hole Bath Set  
with Lever Handles

- 1/4 Turn Ceramic Disc Flow Control
- Vernier Insert For Accurate Handle Alignment
- Unique Handle Construction With Integral Bearing Ring



Where \* Indicated Specify Colour.



**TRIFLOW CONCEPTS** BACK TO AP

Triflow is a registered trademark of TRIFLOW CONCEPTS LIMITED.

WWW.TRIFLOWCONCEPTS.COM

Triflow Concepts Limited, Gateway XIII, Ferry Lane, Rainham Essex, RM13 9JY, United Kingdom  
T: 0845 313 5000, +44 (0)1708 526361 E: support@triflowconcepts.com