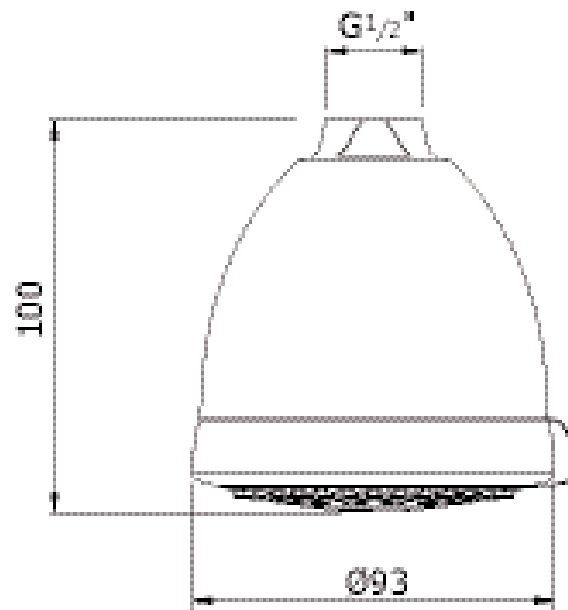




SPECIFICATION

MODEL: 5800_Shower Set D2

Multi-Function Shower Head



Packed Weight: 0.3kg

TEMP RANGE:

Min 1°C / 34°F

Max 85°C / 185°F

RECOMMENDED WORKING PRESSURE:

Min 1 bar / 14.5 psi

Max 5 bar / 75 psi

TRIFLOW CONCEPTS BACK TO TAP

Triflow is a registered trademark of TRIFLOW CONCEPTS LIMITED.

WWW.TRIFLOWCONCEPTS.COM

Triflow Concepts Limited, Gateway XIII, Ferry Lane, Rainham Essex, RM13 9JY, United Kingdom

T: 0845 313 5000 , +44 (0)1708 526361 E: support@triflowconcepts.com



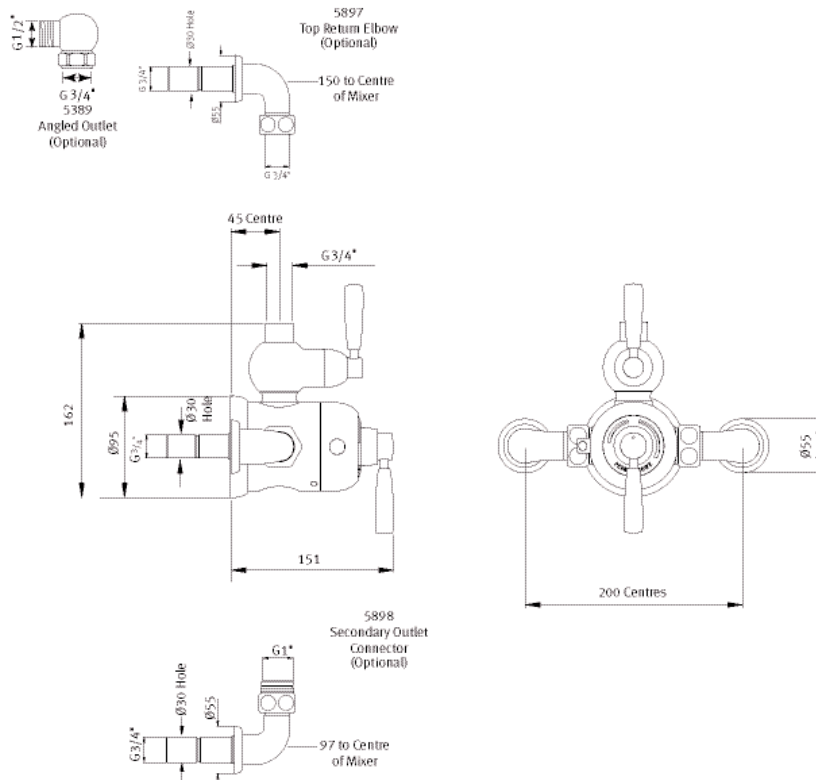
SPECIFICATION

MODEL:5850, 5897, 5898_Shower Set D2

Exposed Dual Control Thermostatic Shower Mixer



- Wax capsule thermostatic cartridge with 1 second supply failure response
- Separate temperature and flow levers • 1/4turn ceramic disc flow control
- Adjustable temperature safety override stop (pre-set to 38 °C)
- G 3/4" inlets fitted with non return valves and strainers



Packed Weight:5.4Kg

TEMP RANGE:

Min 18°C / 52°F
Max 49°C / 118°F

TEMP STABILITY:

± 1°C / ± 1.8°F

MAX INLET TEMP:

82°C / 180°F

RECOMMENDED WORKING PRESSURE:

Min 0.5 bar / 7psi
Max 5 bar / 75 psi



SPECIFICATION

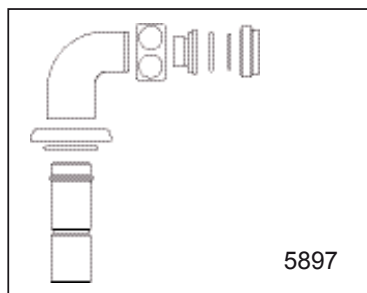
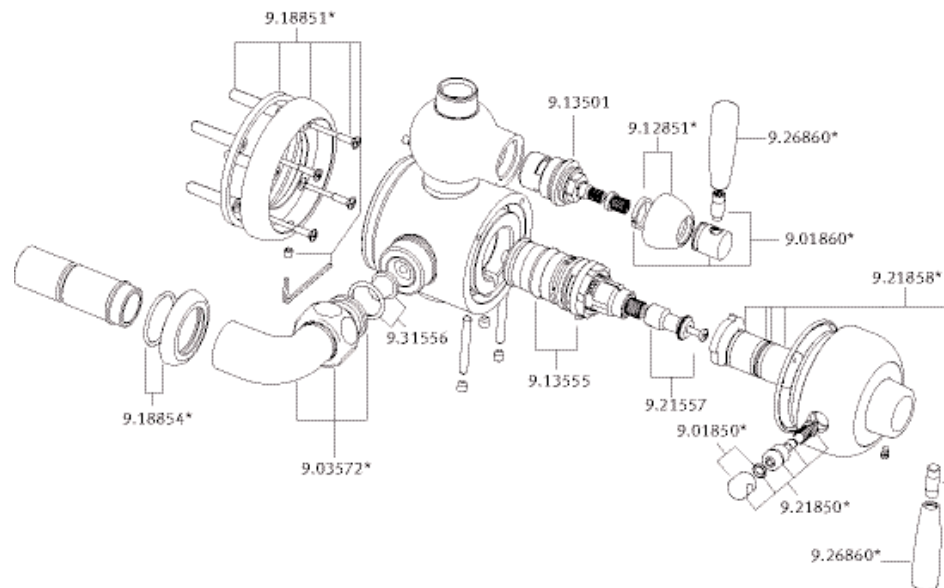
MODEL:5850, 5897, 5898_Shower Set D2

Exposed Dual Control Thermostatic Shower Mixer

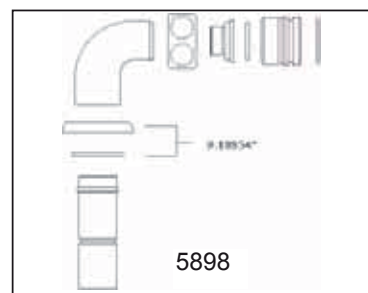


- Wax capsule thermostatic cartridge with 1 second supply failure response
- Seperate temperature and flow levers • 1/4turn ceramic disc flow control
- Adjustable temperature safety override stop (pre-set to 38 °C)
- G 3/4" inlets fitted with non return valves and strainers

Where * Indicated Specify Colour.



5897



5898

TRIFLOW CONCEPTS BACK TO TAP

Triflow is a registered trademark of TRIFLOW CONCEPTS LIMITED.

WWW.TRIFLOWCONCEPTS.COM

Triflow Concepts Limited, Gateway XIII, Ferry Lane, Rainham Essex, RM13 9JY, United Kingdom
T: 0845 313 5000 , +44 (0)1708 526361 E: support@triflowconcepts.com



SPECIFICATION

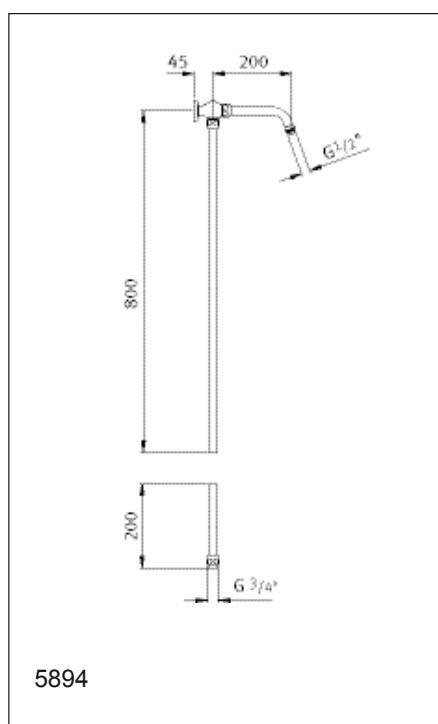
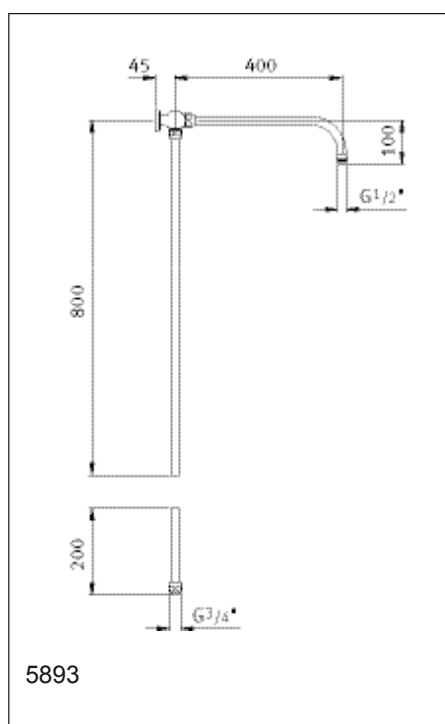
MODEL:5893, 5894_Shower Set D2

5893 Split Riser 800/200 x 400 x G1/2" (for use with Diverter)

5894 Split Riser 800/200 x 200 x G1/2" Angled Outlet (for use with Diverter)



- Wax capsule thermostatic cartridge with 1 second supply failure response
- Seperate temperature and flow levers • 1/4turn ceramic disc flow control
- Adjustable temperature safety override stop (pre-set to 38 °C)
- G 3/4" inlets fitted with non return valves and strainers



TEMP RANGE:

Min 1°C / 34°F

Max 85°C / 185°F

RECOMMENDED WORKING PRESSURE:

Min 0.5 bar / 7psi

Max 5 bar / 75 psi

TRIFLOW CONCEPTS BACK TO TAP



SPECIFICATION

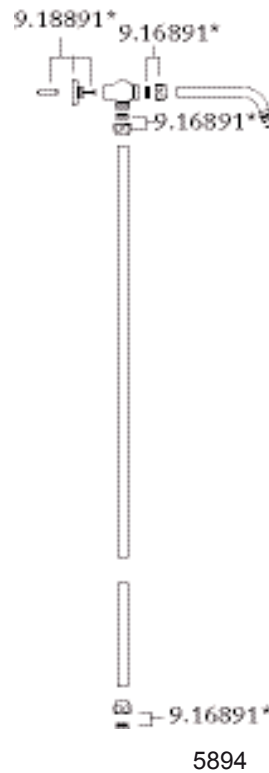
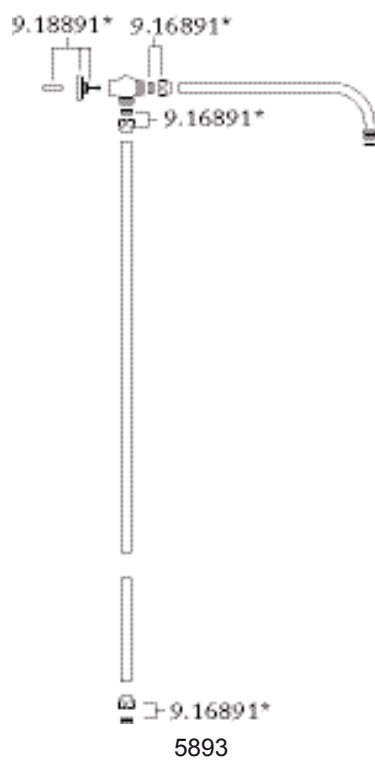
MODEL:5893, 5894_Shower Set D2

5893 Split Riser 800/200 x 400 x G1/2" (for use with Diverter)

5894 Split Riser 800/200 x 200 x G1/2" Angled Outlet (for use with Diverter)



Where * Indicated Specify Colour.

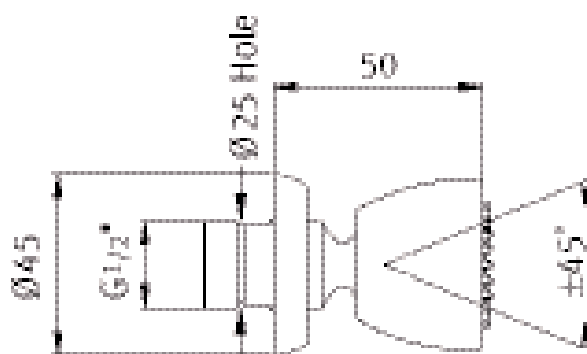




SPECIFICATION

MODEL:5870_Shower Set D2

Body Spray



Packed Weight:0.3Kg

TEMP RANGE:

Min 1°C / 34°F

Max 85°C / 185°F

RECOMMENDED WORKING PRESSURE:

Min 0.5 bar / 7psi

Max 5 bar / 75 psi

TRIFLOW CONCEPTS BACK TO TAP

Triflow is a registered trademark of TRIFLOW CONCEPTS LIMITED.

WWW.TRIFLOWCONCEPTS.COM

Triflow Concepts Limited, Gateway XIII, Ferry Lane, Rainham Essex, RM13 9JY, United Kingdom

T: 0845 313 5000 , +44 (0)1708 526361 E: support@triflowconcepts.com



SPECIFICATION

MODEL: 5870_Shower Set D2

Body Spray



Where * Indicated Specify Colour.

