

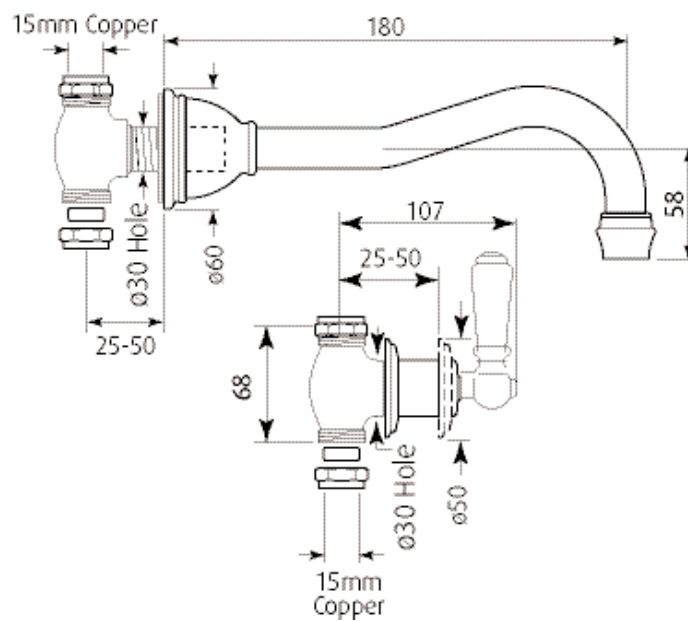
# SPECIFICATION



## MODEL: 3790

Three Hole Country Wall Mounted Basin Set

- 1/4 Turn Ceramic Disc Flow Control
- Vernier Insert For Accurate Handle Alignment
- Unique Handle Construction With Integral Bearing Ring



Packed Weight: 3.0Kg

### TEMPERATURE RANGE:

Min: 1°C / 34°F  
Max: 85°C / 185°F

### AVAILABLE FINISHES:

Chrome  
Pewter  
Nickel  
Inca Gold

### RECOMMENDED WORKING PRESSURE:

Min: 0.5 bar / 7psi  
Max: 5 bar / 75psi

### ALTERNATIVE FORMATS:

Crosshead Handles (3791)

**TRIFLOW CONCEPTS** BACK TO TAP

Triflow is a registered trademark of TRIFLOW CONCEPTS LIMITED.

WWW.TRIFLOWCONCEPTS.COM  
Triflow Concepts Limited, Gateway XIII, Ferry Lane, Rainham Essex, RM13 9JY, United Kingdom  
T: 0845 313 5000, +44 (0)1708 526361 E: support@triflowconcepts.com

# SPECIFICATION



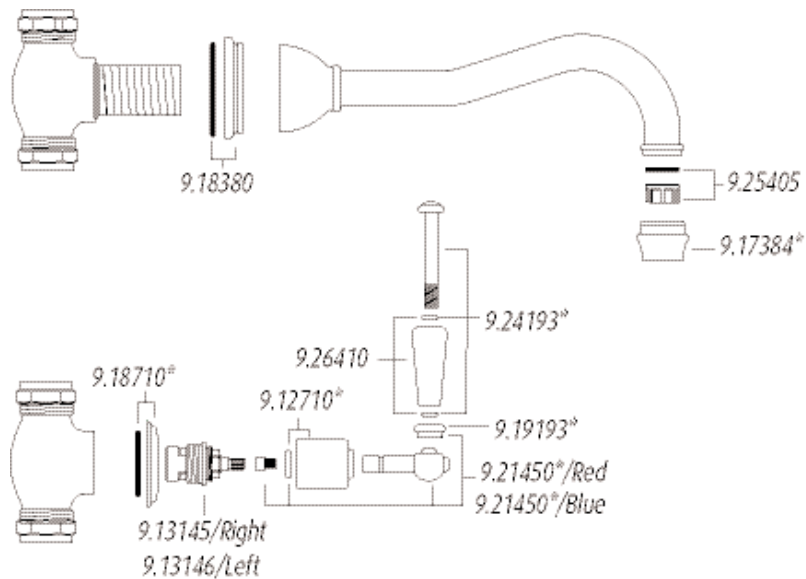
## MODEL: 3790

Three Hole Wall  
Mounted Country  
Basin Set with Lever Handles

- 1/4 Turn Ceramic Disc Flow Control
- Vernier Insert For Accurate Handle Alignment
- Unique Handle Construction With Integral Bearing Ring



Where \* Indicated Specify Colour.



TRIFLOW CONCEPTS BACK TO TAP

Triflow is a registered trademark of TRIFLOW CONCEPTS LIMITED.

WWW.TRIFLOWCONCEPTS.COM

Triflow Concepts Limited, Gateway XIII, Ferry Lane, Rainham Essex, RM13 9JY, United Kingdom  
T: 0845 313 5000 , +44 (0)1708 526361 E: support@triflowconcepts.com