

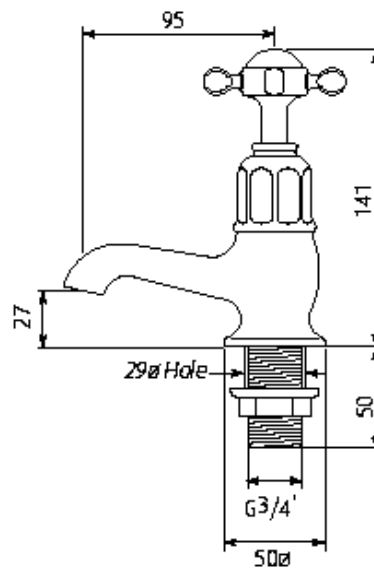


SPECIFICATION

MODEL: 3456

Pair Bath Taps with
Crosshead Handles

- 1/4 Turn Ceramic Disc Flow Control
- Vernier Insert For Accurate Handle Alignment
- Unique Handle Construction With Integral Bearing Ring



Packed Weight: 1.8Kg

TEMPERATURE RANGE:

Min: 1°C / 34°F
Max: 85°C / 185°F

RECOMMENDED WORKING PRESSURE:

Min: 0.5 bar / 7psi
Max: 5 bar / 75psi

AVAILABLE FINISHES:

Chrome
Pewter
Nickel
Inca Gold

ALTERNATIVE FORMATS:

Lever Handles (3455)

TRIFLOW CONCEPTS BACK TO TAP

Triflow is a registered trademark of TRIFLOW CONCEPTS LIMITED.

WWW.TRIFLOWCONCEPTS.COM
Triflow Concepts Limited, Gateway XIII, Ferry Lane, Rainham Essex, RM13 9JY, United Kingdom
T: 0845 313 5000, +44 (0)1708 526361 E: support@triflowconcepts.com



SPECIFICATION

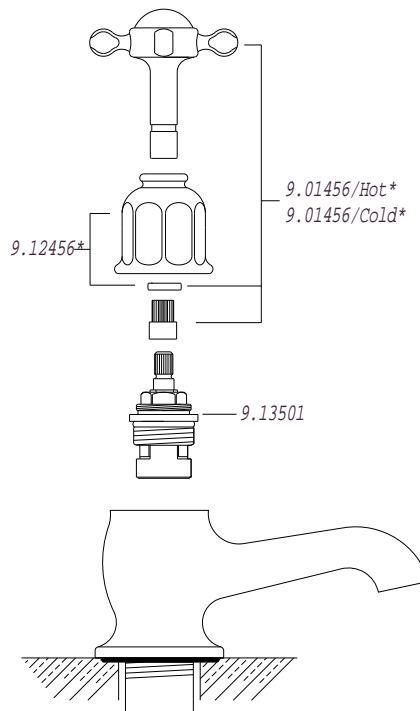
MODEL: 3456

Pair Bath Taps with
Crosshead Handles

- 1/4 Turn Ceramic Disc Flow Control
- Vernier Insert For Accurate Handle Alignment
- Unique Handle Construction With Integral Bearing Ring



Where * Indicated Specify Colour.



TRIFLOW CONCEPTS BACK TO TAP

Triflow is a registered trademark of TRIFLOW CONCEPTS LIMITED.

WWW.TRIFLOWCONCEPTS.COM

Triflow Concepts Limited, Gateway XIII, Ferry Lane, Rainham Essex, RM13 9JY, United Kingdom

T: 0845 313 5000 , +44 (0)1708 526361 E: support@triflowconcepts.com