

# SPECIFICATION

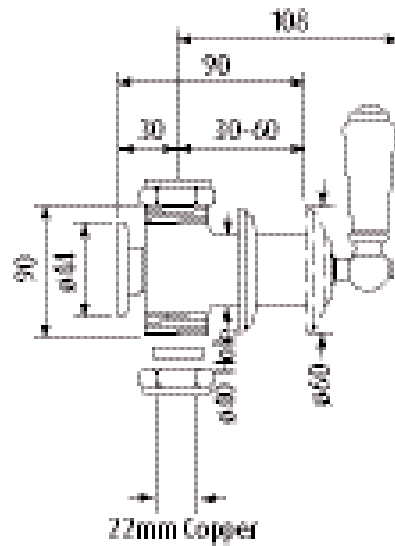
## MODEL: Shower Set 5 - 3230, 3240

3230 Pair of 3/4" Wall Valves with Lever Handles

3240 Single 3/4" Wall Valves with Lever Handles



- 1/4turn ceramic disc flow control
- Unique handle construction with integral bearing ring



Packed Weight: 3230 1.9Kg  
3240 1Kg

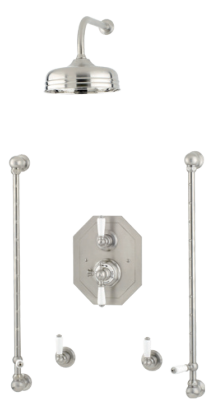
### TEMPERATURE RANGE:

Min: 1°C / 34°F  
Max: 85°C / 185°F

### RECOMMENDED WORKING PRESSURE:

Min 0.5 bar / 7psi  
Max 5 bar / 75 psi

TRIFLOW CONCEPTS BACK TO TAP



# SPECIFICATION

## MODEL: Shower Set 5 - 3230, 3240

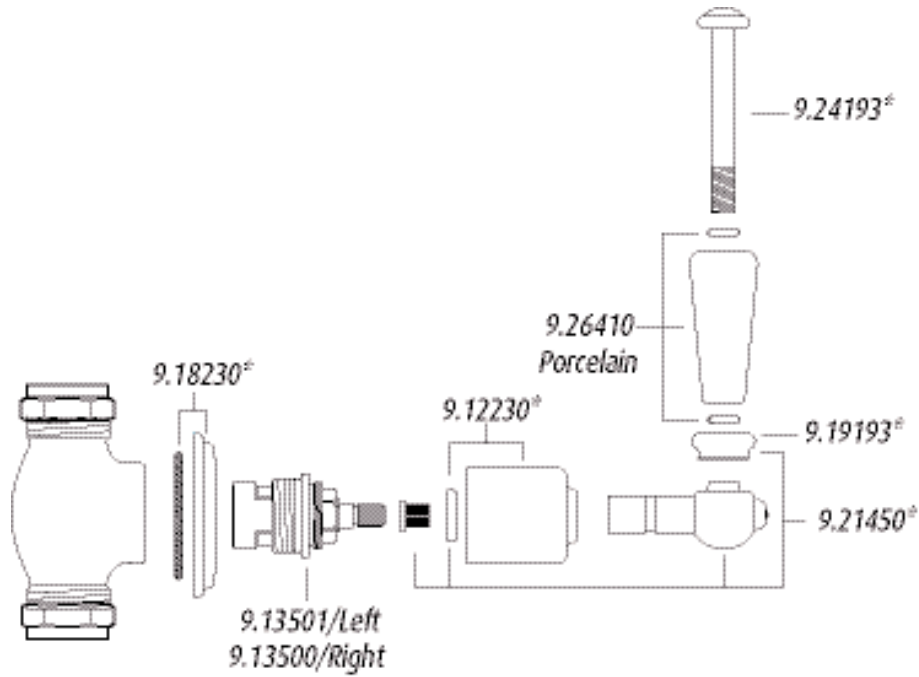
3230 Pair of 3/4" Wall Valves with Lever Handles

3240 Single 3/4" Wall Valves with Lever Handles



- 1/4turn ceramic disc flow control
- Unique handle construction with integral bearing ring

Where \* Indicated Specify Colour.





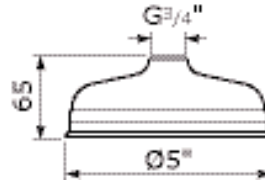
# SPECIFICATION

**MODEL: Shower Set 5 - 5206, 5205, 5204**

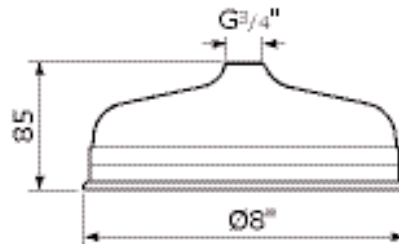
5" Shower Rose, 8" Shower Rose, 12" Shower Rose



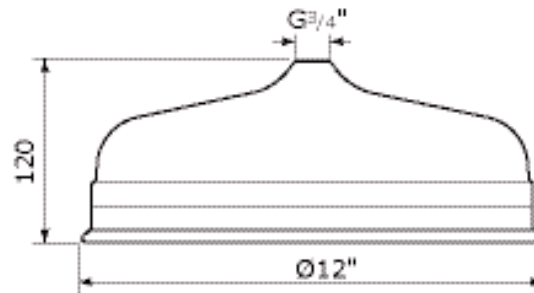
5206



5205



5204



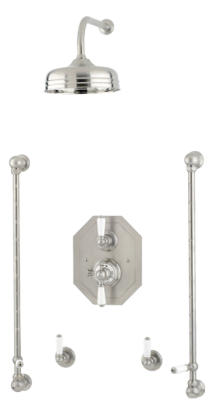
Packed Weight: 5204 1.3Kg  
5205 0.6Kg  
5206 0.3Kg

**TEMPERATURE RANGE:**

Min: 1°C / 34°F  
Max: 85°C / 185°F

**RECOMMENDED WORKING PRESSURE:**

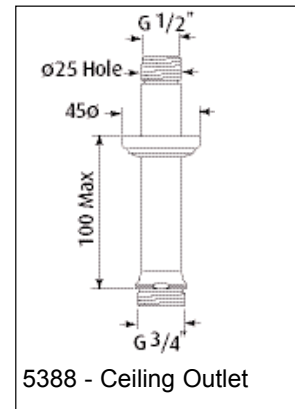
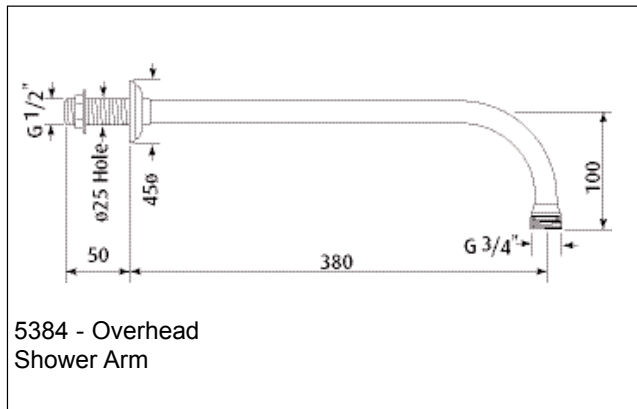
Min 0.5 bar / 7psi  
Max 5 bar / 75 psi



# SPECIFICATION

**MODEL: Shower Set 5 - 5384, 5388**

Overhead Shower Arm & Ceiling Outlet



Packed Weight: 5384 0.7Kg  
5388 0.4Kg

**TEMPERATURE RANGE:**

Min: 1°C / 34°F  
Max: 85°C / 185°F

**RECOMMENDED WORKING PRESSURE:**

Min: 0.5 bar/ 7psi  
Max: 5 bar/ 75psi



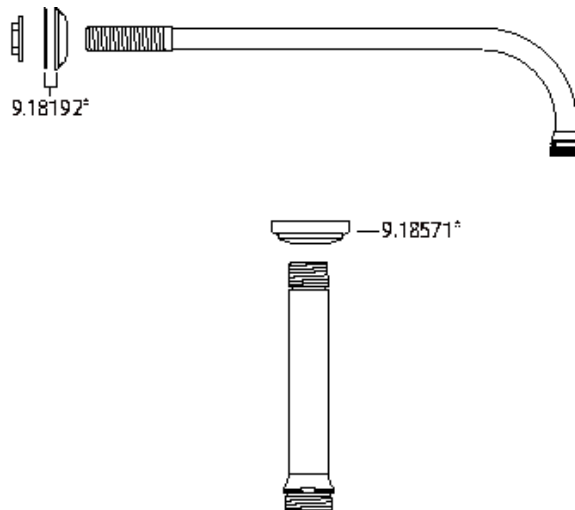
# SPECIFICATION

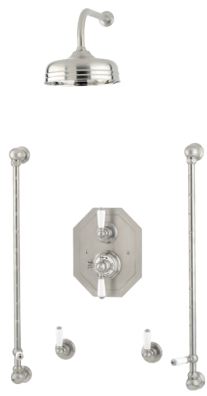
MODEL: Shower Set 5 - 5384, 5388

Overhead Shower Arm & Ceiling Outlet



Where \* Indicated Specify Colour.





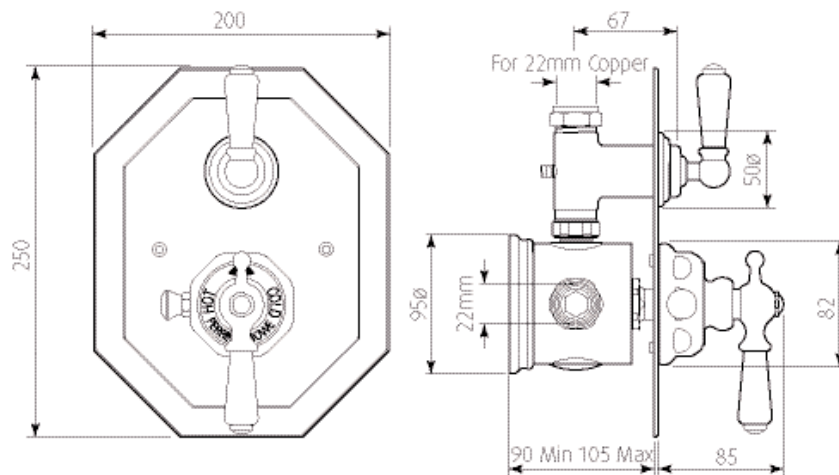
# SPECIFICATION

## MODEL: Shower Set 5 - 5555

Concealed Dual Control Thermostatic Shower Mixer



- Wax capsule thermostatic cartridge with 1 second supply failure response
- Seperate temperature and flow levers • 1/4turn ceramic disc flow control
- Adjustable temperature safety override stop (pre-set to 38°C)
- G 3/4" inlets fitted with non return valves and strainers



NOTE: 135 Max using  
Extension Kit 3550



5555R - Rough Kit  
5555T - Trim Kit

Packed Weight: 6.4Kg  
Rough Kit 0.3Kg  
Trim Kit 2.7Kg

### TEMPERATURE RANGE:

Min: 18°C / 52°F  
Max: 49°C / 118°F

TEMP STABILITY  
± 1°C / ± 1.8°F  
MAX INLET TEMP:  
82°C / 180°F

### RECOMMENDED WORKING PRESSURE:

Min 0.5bar / 7psi  
Max 5 bar / 75psi

TRIFLOW CONCEPTS BACK TO TAP



# SPECIFICATION

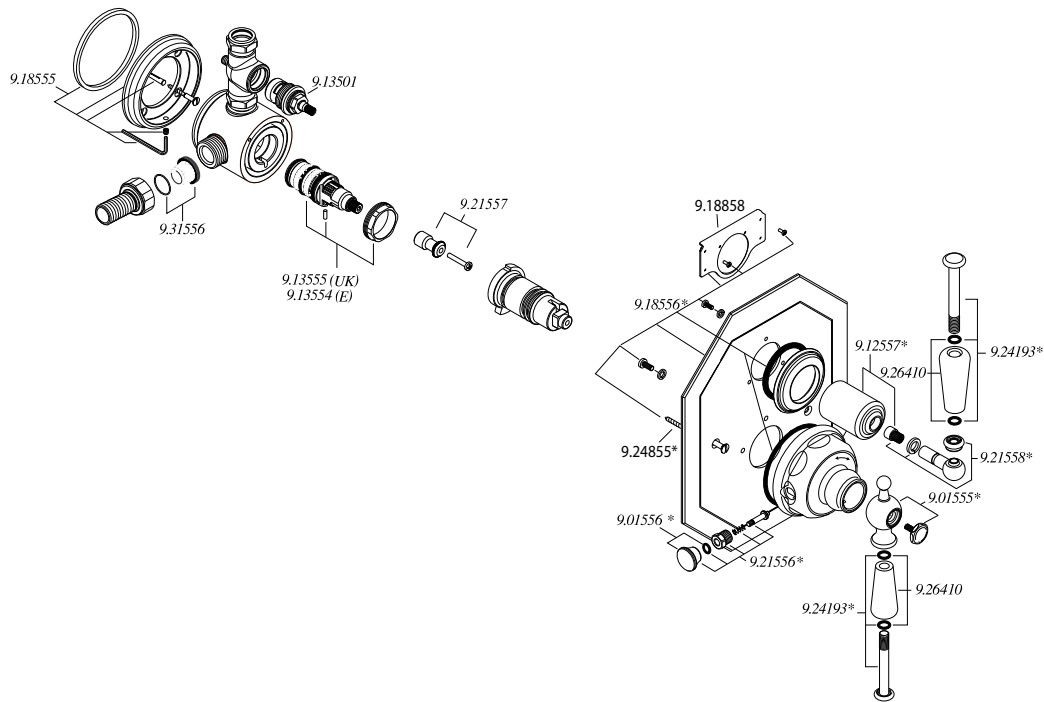
## MODEL: Shower Set 5 - 5555

Concealed Dual Control Thermostatic Shower Mixer



- Wax capsule thermostatic cartridge with 1 second supply failure response
- Seperate temperature and flow levers • 1/4turn ceramic disc flow control
- Adjustable temperature safety override stop (pre-set to 38°C)
- G 3/4" inlets fitted with non return valves and strainers

Where \* Indicated Specify Colour.



TRIFLOW CONCEPTS BACK TO TAP

Triflow is a registered trademark of TRIFLOW CONCEPTS LIMITED.

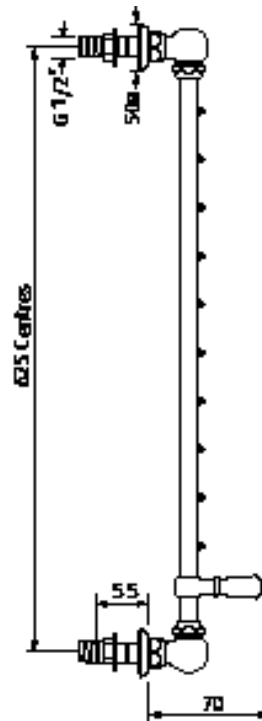
WWW.TRIFLOWCONCEPTS.COM  
 Triflow Concepts Limited, Gateway XIII, Ferry Lane, Rainham Essex, RM13 9JY, United Kingdom  
 T: 0845 313 5000 , +44 (0)1708 526361 E: support@triflowconcepts.com



# SPECIFICATION

MODEL: Shower Set 5 - 5580

Rainbar



Packed Weight : 1.5Kg

**TEMP RANGE:**  
Min 1°C / 34°F  
Max 85°C / 185°F

**RECOMMENDED WORKING PRESSURE:**  
Min 0.5bar / 7psi  
Max 5bar / 75psi



# SPECIFICATION

MODEL: Shower Set 5 - 5580

Rainbar



Where \* Indicated Specify Colour.

