



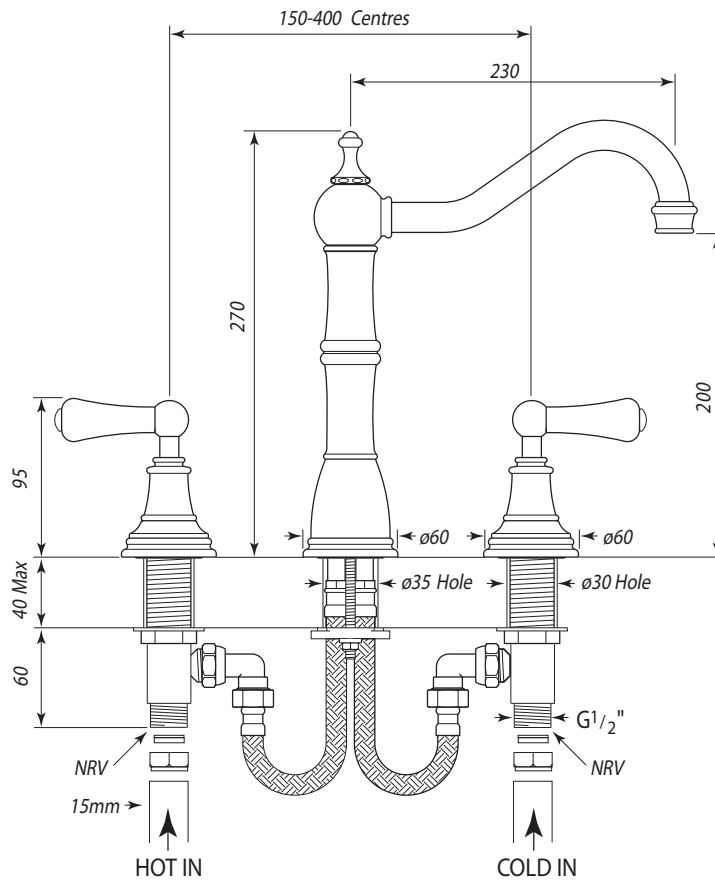
SPECIFICATION

MODEL: ALSACE

Three Hole Sink Mixer with Lever Handles



- 1/4 turn ceramic disc flow control. • Vernier insert for accurate handle alignment.
- Unique handle construction with integral bearing ring
- Flexible connectors for easier installation.



TEMPERATURE RANGE:

Min: 1°C / 34°F
Max: 85°C / 185°F

RECOMMENDED WORKING PRESSURE:

Min: 1 bar/ 15psi
Max: 5 bar/ 75psi

AVAILABLE FINISHES:

Chrome
Pewter
Nickel

TRIFLOW CONCEPTS BACK TO TAP