



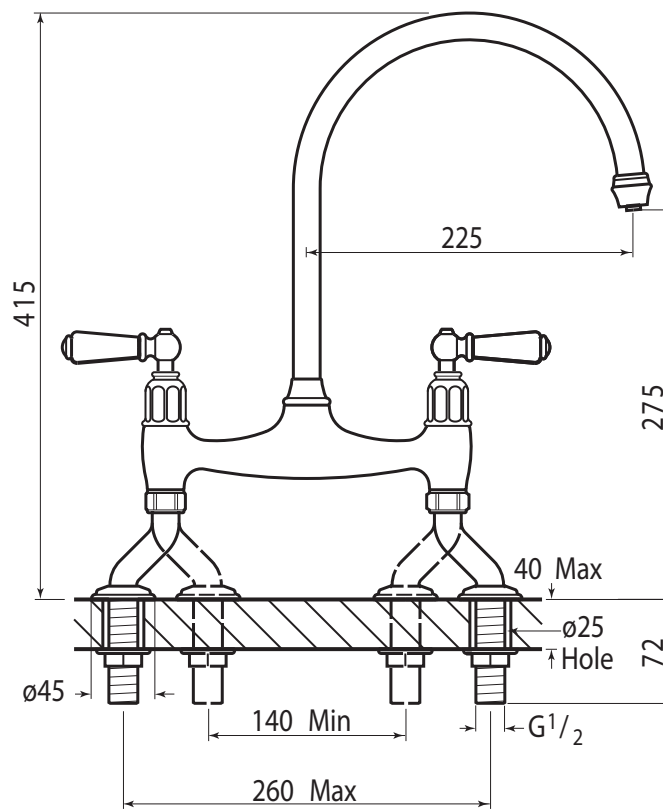
SPECIFICATION

MODEL: IONIAN

Two Hole Sink Mixer with Porcelain Lever Handles



- 1/4 turn ceramic disc flow control. • Vernier insert for accurate handle alignment.
- Unique handle construction with integral bearing ring
- Flexible connectors for easier installation.
- Biflow • Corian handles



TEMPERATURE RANGE:

Min: 1°C / 34°F
Max: 85°C / 185°F

RECOMMENDED WORKING PRESSURE:

Min: 0.2 bar/ 3psi
Max: 5 bar/ 75psi

AVAILABLE FINISHES:

Chrome
Pewter
Nickel

TRIFLOW CONCEPTS BACK TO TAP