



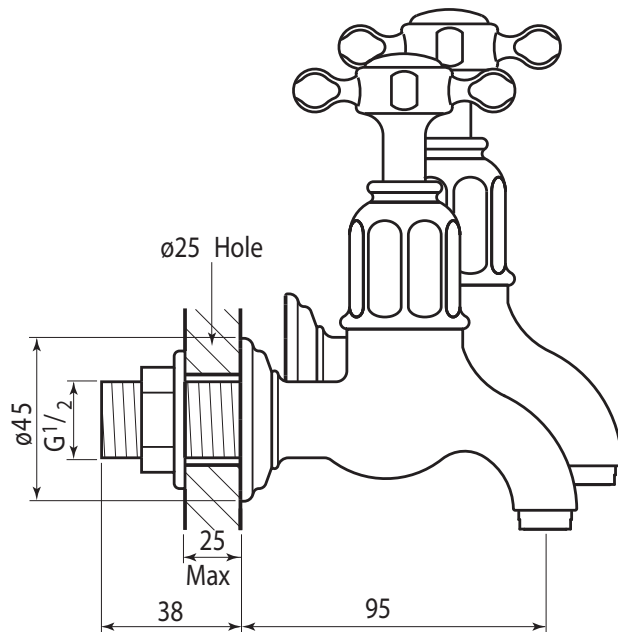
# SPECIFICATION

## MODEL: MAYAN

Bibcock Taps, Wall Mounted with Crosshead Handles



- 1/4 turn ceramic disc flow control. • Vernier insert for accurate handle alignment.
- Unique handle construction with integral bearing ring



### TEMPERATURE RANGE:

Min: 1°C / 34°F  
Max: 85°C / 185°F

### RECOMMENDED WORKING PRESSURE:

Min: 0.2 bar/ 3 psi  
Max: 5 bar/ 75psi

### AVAILABLE FINISHES:

Chrome  
Pewter  
Nickel

TRIFLOW CONCEPTS BACK TO TAP

Triflow is a registered trademark of TRIFLOW CONCEPTS LIMITED.

WWW.TRIFLOWCONCEPTS.COM  
Triflow Concepts Limited, Gateway XIII, Ferry Lane, Rainham Essex, RM13 9JY, United Kingdom  
T: 0845 313 5000 , +44 (0)1708 526361 E: support@triflowconcepts.com