



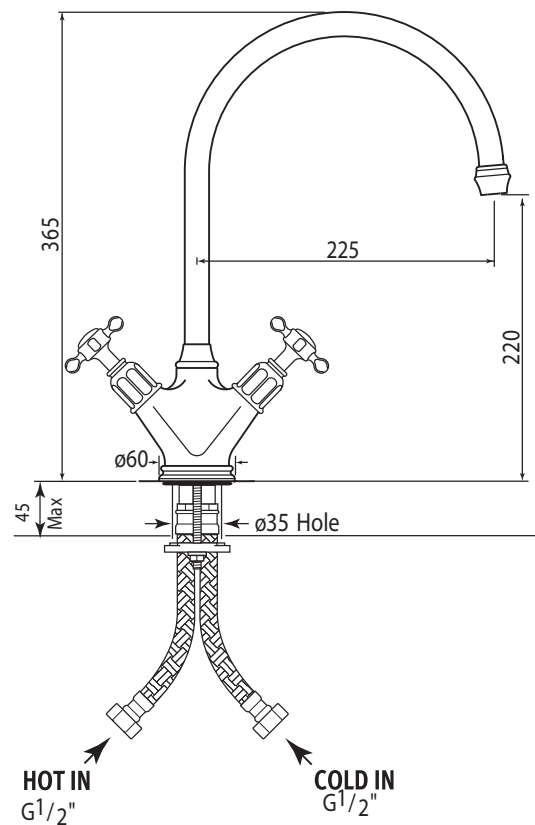
# SPECIFICATION

## MODEL: MINOAN

Titan Three Hole Sink Mixer with 'C' Spout



- 1/4 turn ceramic disc flow control. • Vernier insert for accurate handle alignment.
- Unique handle construction with integral bearing ring
- Flexible connectors for easier installation.
- Biflow



### TEMPERATURE RANGE:

Min: 1°C / 34°F  
Max: 85°C / 185°F

### RECOMMENDED WORKING PRESSURE:

Min: 0.2 bar/ 3psi  
Max: 5 bar/ 75psi

### AVAILABLE FINISHES:

Chrome  
Pewter  
Nickel

**TRIFLOW CONCEPTS** BACK TO TAP