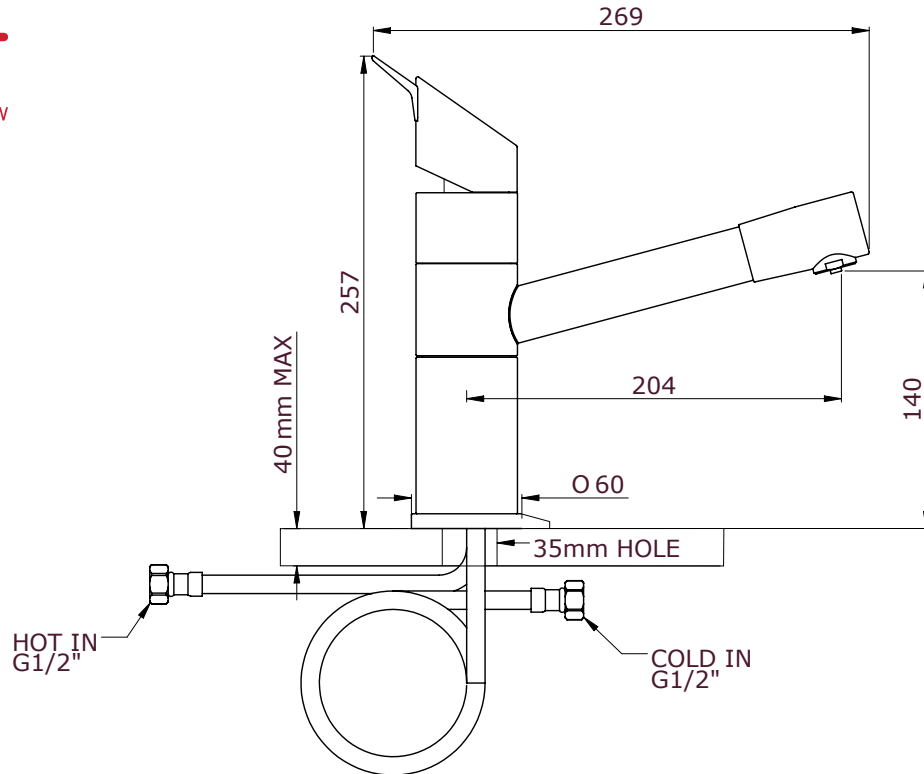




# SPECIFICATION

MODEL: TF-KT12E

- Electronic Filter Housing
- Swivel Spout
- Flexible Connections
- Single lever Hot and Cold



#### TEMPERATURE RANGE:

Min: 1°C / 34°F  
Max: 75°C / 167°F

#### RECOMMENDED WORKING PRESSURE:

Min: 1.5 bar  
Max: 5 bar

#### AVAILABLE FINISHES:

Chrome  
Pewter

#### ALTERNATIVE FORMATS:

Sink Mixer

## Triflow Electronic System

Triflow Concepts introduce the latest evolution of their patented, three-way Triflow® technology – a unique touch-sensitive electronic button to activate the filtered water. Indicated by the subtle Triflow logo, the touch-sensitive button connects directly to a sleek electronic filter housing system which sits under the sink. This mains operated intelligent system makes the button glow green when activated and red when the filter needs replacing.

 TRIFLOW CONCEPTS **BACK TO TAP**

Triflow is a registered trademark of TRIFLOW CONCEPTS LIMITED.

WWW.TRIFLOWCONCEPTS.COM

Triflow Concepts Limited, Gateway XIII, Ferry Lane, Rainham Essex, RM13 9JY, United Kingdom  
T: 0845 313 5000 , +44 (0)1708 526361 E: support@triflowconcepts.com