

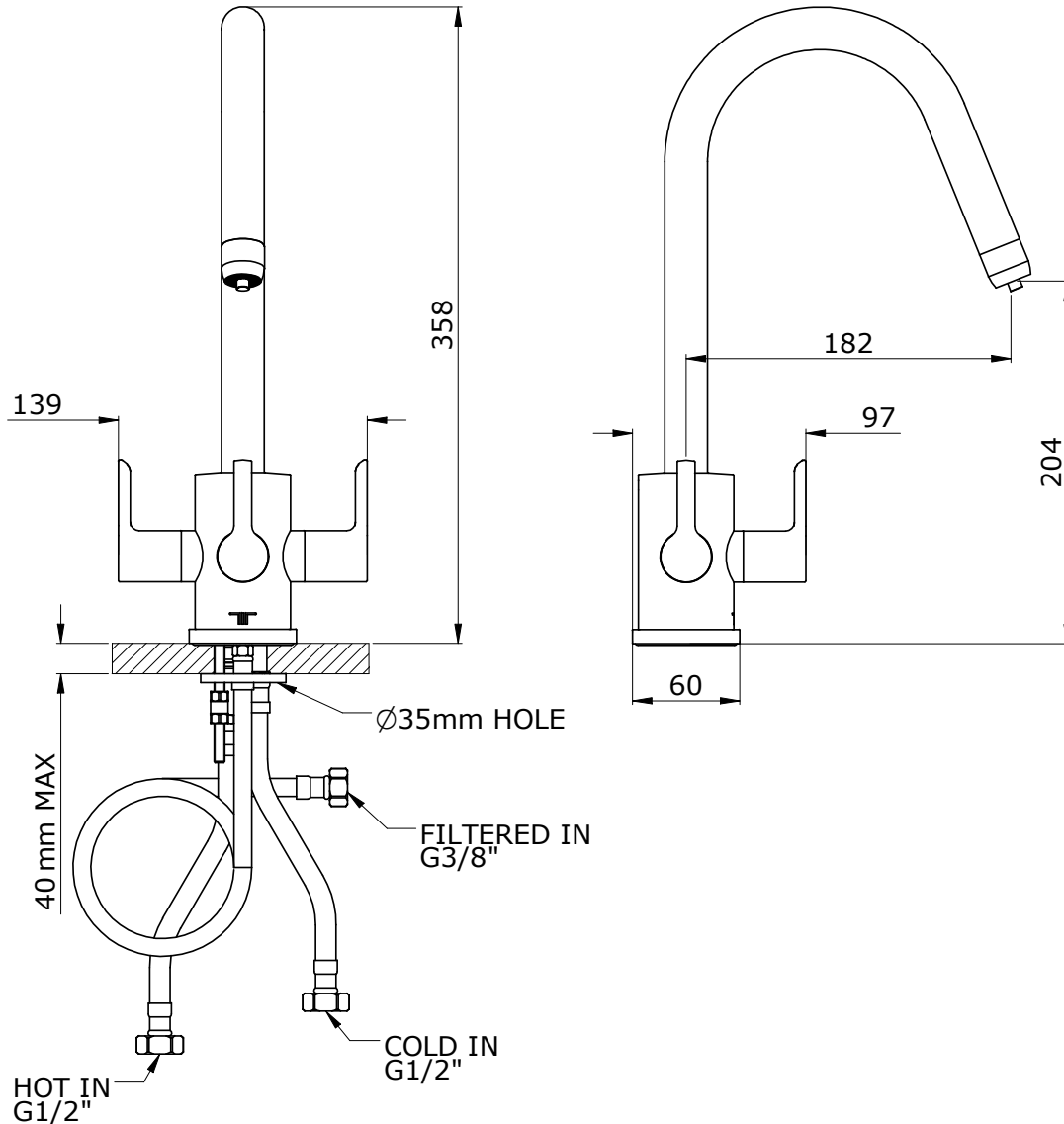


SPECIFICATION



MODEL: TF-KT31H

- Stainless Steel Filter Housing
- 1/4 Turn Valves
- Flexible Connections
- Swivel Spout



TEMP RANGE:

Min 1° C / 34° F Max 75° C / 167° F

AVAILABLE FINISHES:

Chrome

RECOMMENDED WORKING PRESSURE:

Min 1.5 Bar / 21.7 p.s.i. Max 5 Bar / 72.5 p.s.i.

ALTERNATIVE OPTIONS:

Sink Mixer with 'Hook' Spout (TF-KT31H-CP)

TRIFLOW CONCEPTS LIMITED
46 Portland Place, London, W1B 4NF

WWW.TRIFLOWCONCEPTS.COM
T: ++44 (0) 20 7079 0541 F: ++44 (0) 20 7323 0788