

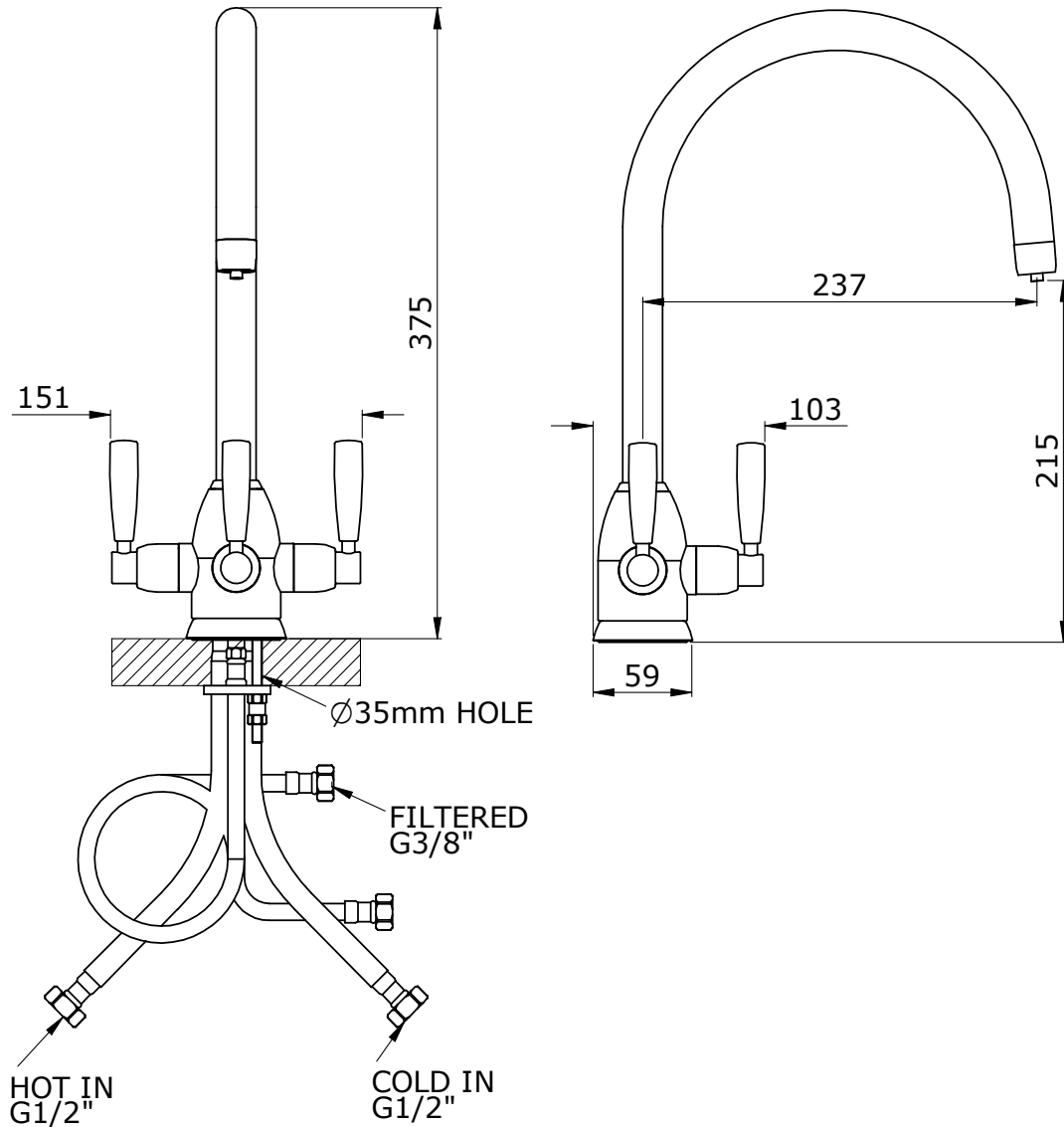


# SPECIFICATION



MODEL: TF-KT32C

- Stainless Steel Filter Housing
- 1/4 Turn Valves
- Flexible Connections
- Swivel Spout



TEMP RANGE:

Min 1° C / 34° F Max 85° C / 185° F

AVAILABLE FINISHES:

Chrome, Pewter, Nickel

RECOMMENDED WORKING PRESSURE:

Min 1.7 Bar / 25.5 p.s.i. Max 5 Bar / 75 p.s.i.

ALTERNATIVE OPTIONS:

- Sink Mixer with 'C' Spout (TF-KT32C)
- Sink Mixer with 'C' Spout and Rinse (TF-KT32CR)
- Sink Mixer with 'U' Spout (TF-KT32U)
- Sink Mixer with 'U' Spout and Rinse (TF-KT32UR)

TRIFLOW CONCEPTS LIMITED  
46 Portland Place, London, W1B 4NF

WWW.TRIFLOWCONCEPTS.COM  
T: ++44 (0) 20 7079 0541 F: ++44 (0) 20 7323 0788