

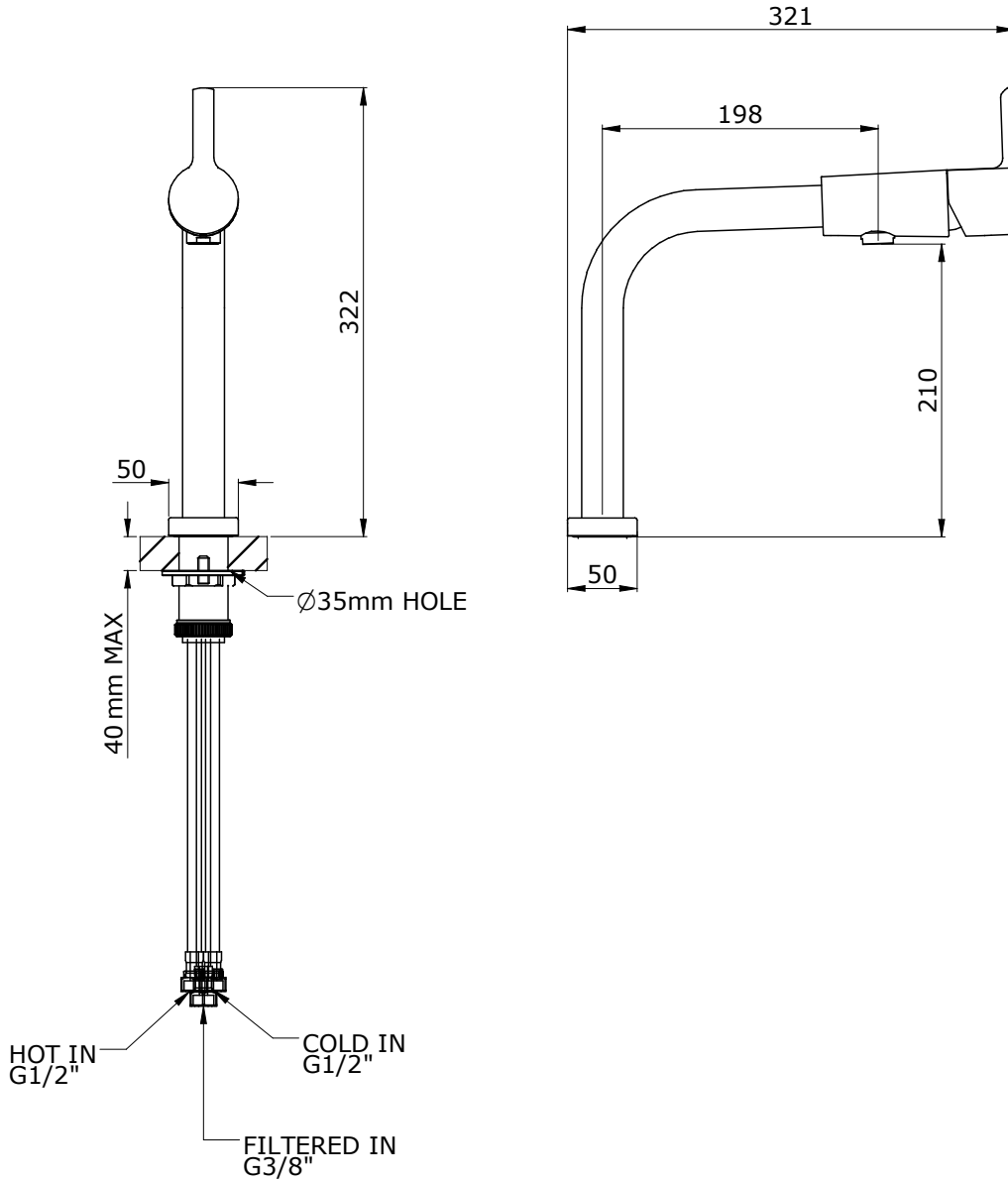


SPECIFICATION



MODEL: TF-KTD11E

- Electronic Filter Housing
- Flexible Connections



TEMP RANGE:

Min 1° C / 34° F Max 85° C / 185° F

AVAILABLE FINISHES:

Chrome

RECOMMENDED WORKING PRESSURE:

Min 1.7 Bar / 25.5 p.s.i. Max 5 Bar / 75 p.s.i.

ALTERNATIVE OPTIONS:

Electronics Monobloc Sink Mixer (TF-KTD11E)

TRIFLOW CONCEPTS LIMITED
46 Portland Place, London, W1B 4NF

WWW.TRIFLOWCONCEPTS.COM
T: ++44 (0) 20 7079 0541 F: ++44 (0) 20 7323 0788