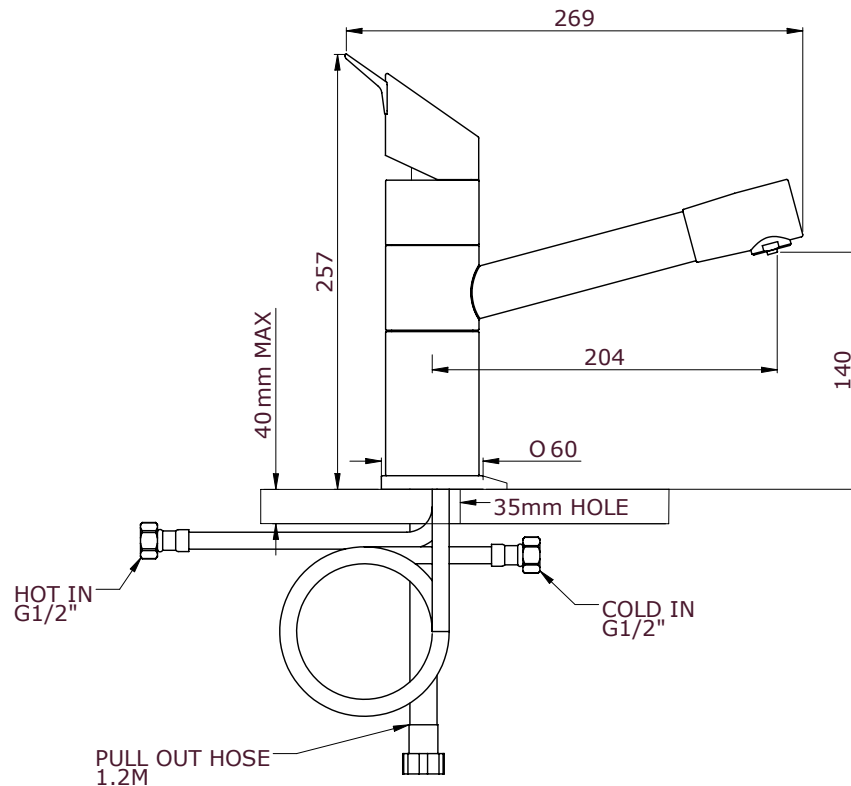




SPECIFICATION

MODEL: TF-KTP12E

- Electronic Filter Housing
- Swivel Spout
- Flexible Connections
- Single lever Hot and Cold



TEMPERATURE RANGE:

Min: 1°C / 34°F
Max: 75°C / 167°F

RECOMMENDED WORKING PRESSURE:

Min: 1.5 bar
Max: 5 bar

AVAILABLE FINISHES:

Chrome
Pewter

ALTERNATIVE FORMATS:

Kitchen Mixer

Triflow Electronic System

Triflow Concepts introduce the latest evolution of their patented, three-way Triflow® technology – a unique touch-sensitive electronic button to activate the filtered water. Indicated by the subtle Triflow logo, the touch-sensitive button connects directly to a sleek electronic filter housing system which sits under the sink. This mains operated intelligent system makes the button glow green when activated and red when the filter needs replacing.

TRIFLOW CONCEPTS BACK TO TAP