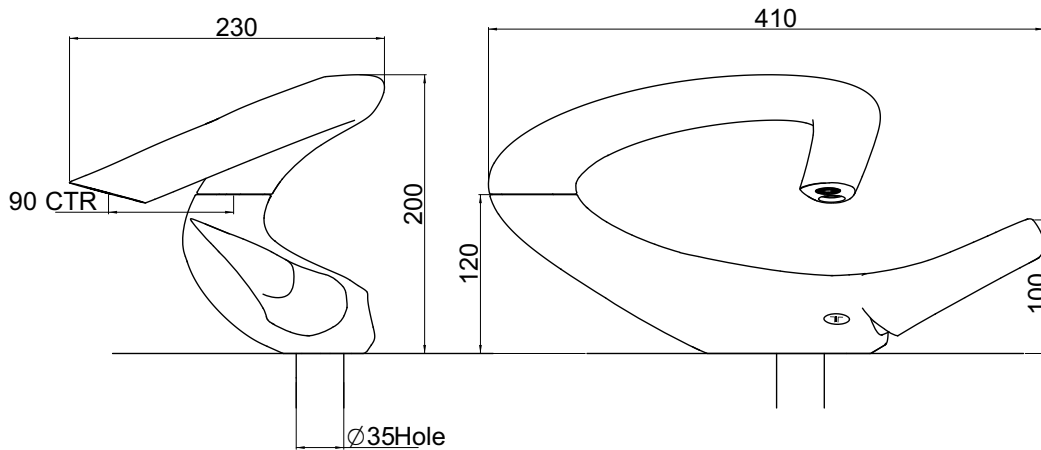


Specification 1708



Temp Range:

min 1°C/34°F
max 85°C/185°F

Recommended working pressure:

min 1 bar/15psi
max 5 bar/75psi

